



Revised Date: 08 July 2016

**SUBMITTAL**

**Project :**

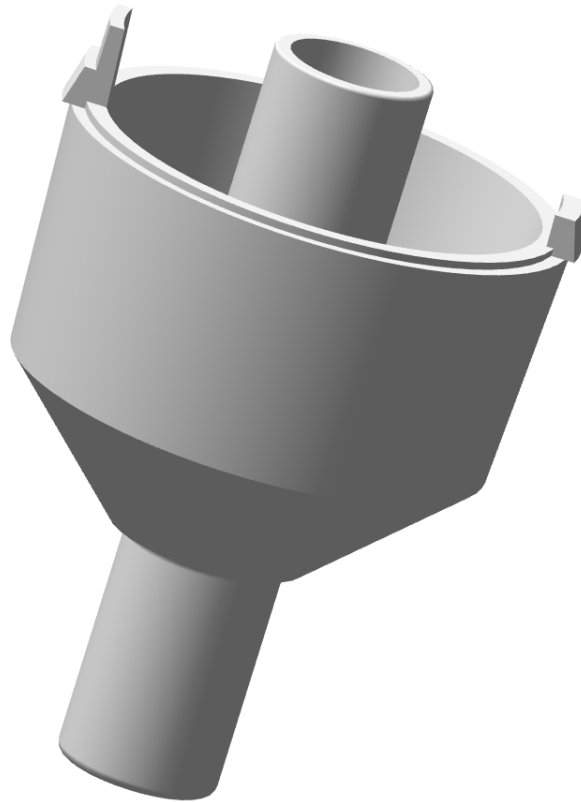
**Date :**

**Qty :**

# MINI-CHECK VALVE

## 5959900 Mini-Check Valve

---



---

The Evac Mini-Check Valve is a component that prevents water from entering the activator and causing damage.

### Functions

- Prevents water from flowing back to activator

### Operation

The Mini-Check Valve allows vacuum to be supplied to the activator and closes to prevent migration of water toward the activator.

---

Contact an Evac representative for further technical documentation

Evac North America Inc. | [www.evac.com](http://www.evac.com) | [evac.buildingus@evac.com](mailto:evac.buildingus@evac.com)

Tel: +1 815 654 8300 | Fax: +1 815 654 8306 | 1445 Huntwood Drive | Cherry Valley, IL 61016



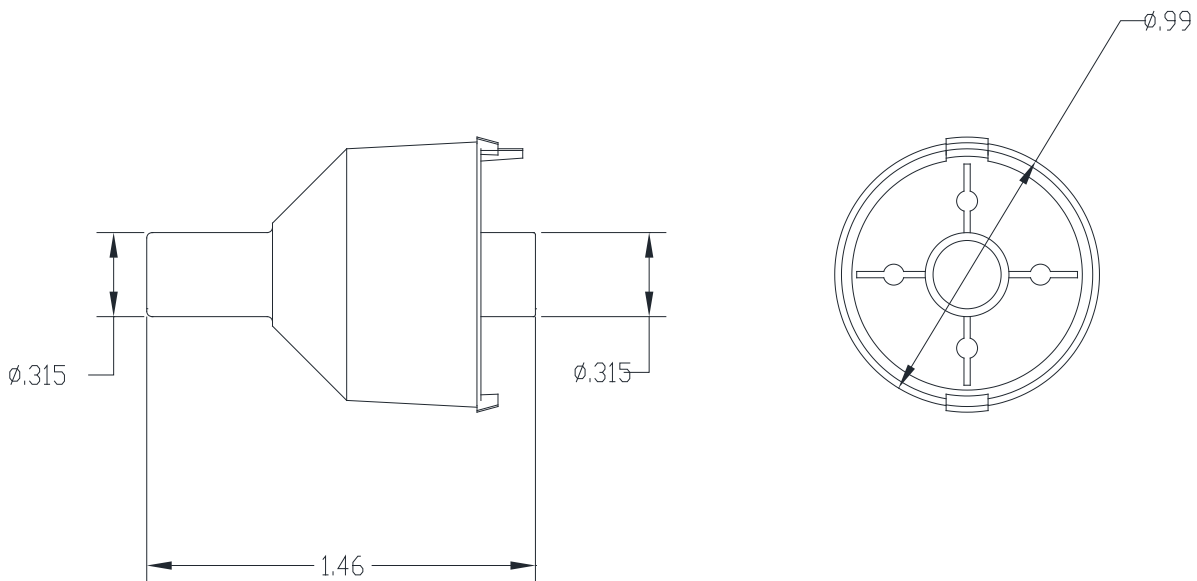
Revised Date: 08 July 2016
<b>SUBMITTAL</b>
<b>Project :</b>
<b>Date :</b>
<b>Qty :</b>

# MINI-CHECK VALVE

## 5959900 Mini-Check Valve

---

### Data Sheet



- **Material:** PVC Type 1, Grade 1
- **Net Weight:** 0.05 lbs / 0.023 kg
- **Installation:** Installed inline on vacuum hose between vacuum source piping and the activator