



Revised Date: 10 June 2016

SUBMITTAL

Project :

Date :

Qty :

HORIZON

L235-40 / L280-40 / L335-40 / L380-40



The Evac Horizon System uses differential air pressure to transport waste water upward to the overhead piping unlike the conventional gravity flow of underground drainage piping. A vacuum collection system consists of a vacuum central plant, interface valve assemblies, buffers, and vacuum drainage piping.

Functions

- Generates vacuum, collects, and discharges waste water from collection points

Operation

Vacuum is generated and maintained by two or three liquid-ring pumps in the collection tanks and throughout the vacuum piping network. Waste water is collected and held in two 40-gallon tanks then later discharged at a predetermined volume to the building sewer system.

Contact an Evac representative for further technical documentation

Evac North America Inc. | www.evac.com | evac.buildingus@evac.com

Tel: +1 815 654 8300 | Fax: +1 815 654 8306 | 1445 Huntwood Drive | Cherry Valley, IL 61016

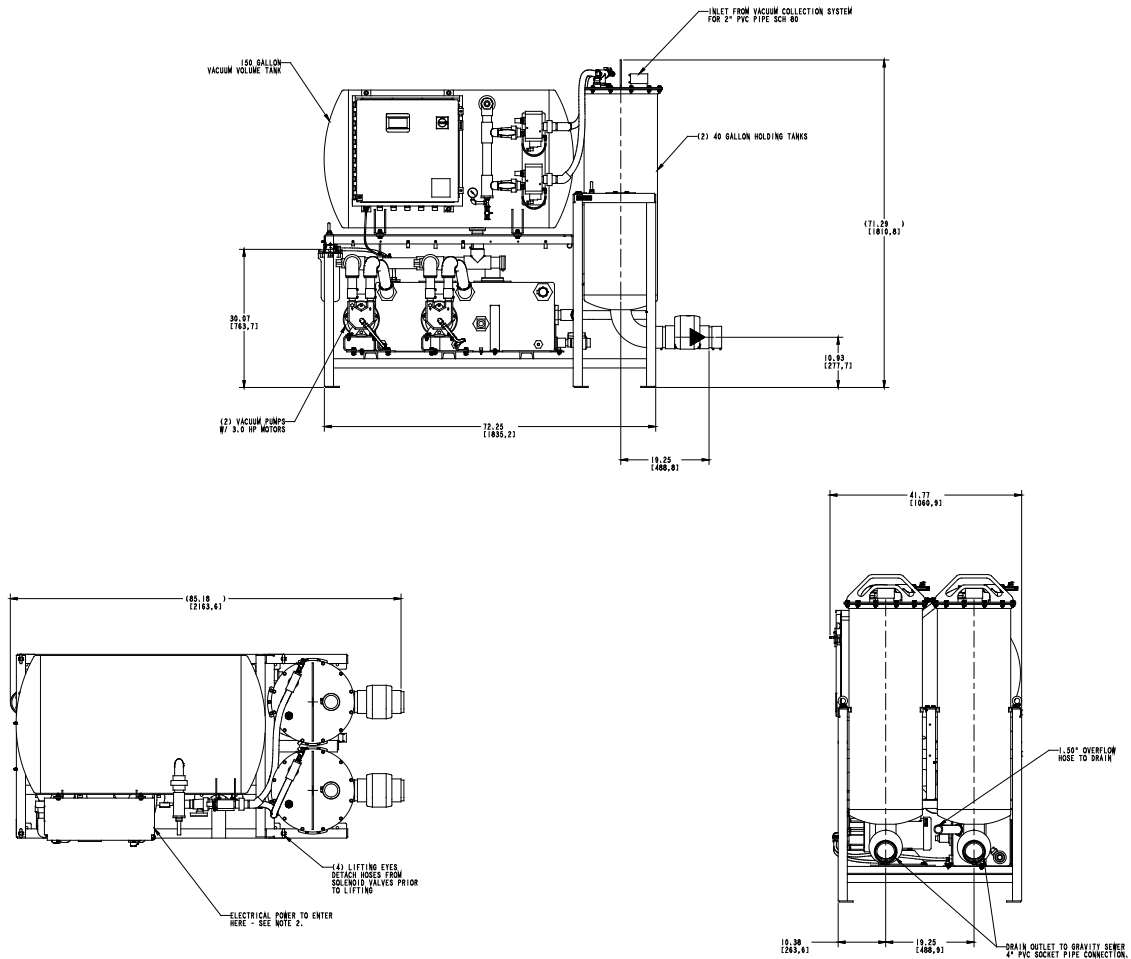


Revised Date: 10 June 2016
SUBMITTAL
Project :
Date :
Qty :

HORIZON

L235-40 / L280-40 / L335-40 / L380-40

Data Sheet



- **Vacuum Pump Material:** Cast Iron **Frame Material:** Steel
- **Holding Tank Material:** Stainless Steel **Vacuum Volume Tank Material:** Stainless Steel
- **Water Reservoir Tank Material:** Polyethylene
- **Dry Weight:** 1220 lbs / 553.40 kg **Wet Weight:** 2030 lbs / 920.80 kg
- **Inlet Connection:** 2" PVC Socket **Outlet Connection:** 4" PVC Socket
- **Overflow Connection:** 1-1/2" Flex PVC **Fresh Water Connection:** 3/4" NPT Fitting
- **Electrical Information:** 208/230/460 Volts – 3 Phase – 60 Hertz

Contact an Evac representative for further technical documentation

Evac North America Inc. | www.evac.com | evac.buildingus@evac.com

Tel: +1 815 654 8300 | Fax: +1 815 654 8306 | 1445 Huntwood Drive | Cherry Valley, IL 61016