

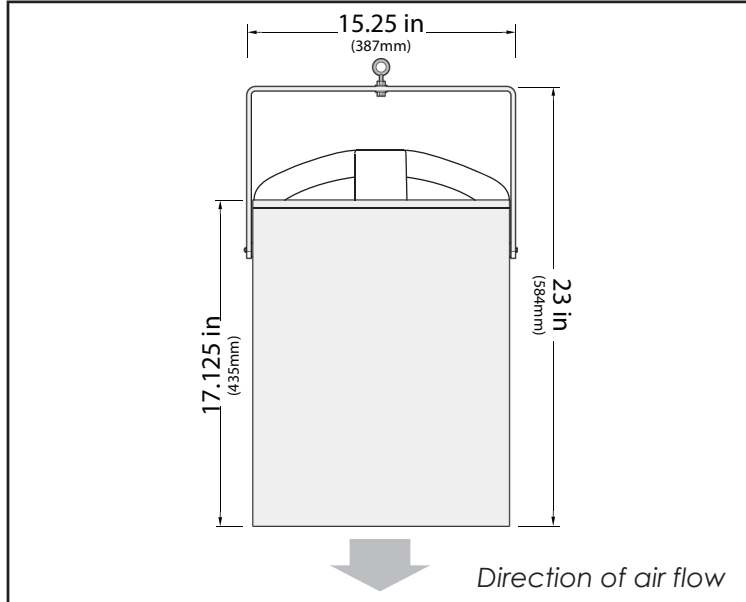


**Q-50-EC DESTRATIFICATION FAN SUBMITTAL**  
 SPECIFICATION SECTION: 23 34 00 - HVAC FANS

MODEL	VOLTS 1Ø	HZ	*AMPS	*WATTS	*MAX RPM	*MAX CFM	**dB(A)	WEIGHT	CEILING HEIGHT	COVERAGE AREA
Q-50-EC	100-130	50/60	0 - 1.6	0 - 110	0 - 1650	0 - 1450	TBD	22 lb	Up to 50 ft.	Up to 2000 ft <sup>2</sup>
Q-50-EC	200-240	50/60	0 - 0.8	0 - 98	0 - 1660	0 - 1406	TBD	22 lb	Up to 50 ft.	Up to 2000 ft <sup>2</sup>

\*0-static motor data supplied by fan manufacturer. Subject to change at any time.

\*\*Sound pressure level at 3 feet. Sound Power Level TBD dB(A), designed to meet ISO 3744 – engineering grade precision for determining sound power.



**DESTRATIFICATION FAN DESCRIPTION**

The patented Q series creates uniform air temperatures from floor to ceiling for maximum thermal comfort and energy savings up to 35% in the heating season and up to 25% in the cooling season.

**CERTIFICATION:** Conforms to UL-507, CAN/CSA C22.2#60335-1, UL 94 5VA and is ETL listed in USA and Canada.

**HOUSING:** PC/ABS resin, 5VA flame resistance rating

**MOTOR:** Electrically commutated, 92% efficient motor. 0 - 10VDC control allows units to be tied into a BMS or wall mounted potentiometer. Operating temperature: -40° F (-40° C) to 176° F (80° C). No lubrication required. Bearings are sealed. 6' cord and plug provided for 100-130V, no plug for 200-240V

**STATOR:** Patented multi-vane stator significantly increases air throw for maximizing performance. PC/ABS.

**SAFETY CABLE:** 6' length steel cable (fastened to body)

**WARRANTY:** Warranty - 3-years parts and workmanship. Money back guarantee - 30 days. Refurbish program after 3-year warranty period.

**ACCESSORIES** (additional costs apply)

**Speed Control** (coordinate w/ electrical requirement)

Item #	Description	Qty
POT-1	Wall mounted potentiometer kit	

**COLOR OPTIONS:**



<b>PROJECT</b>	
<b>ENGINEER</b>	
<b>ARCHITECT</b>	
<b>CONTRACTOR</b>	
<b>SUBMITTED BY</b>	
<b>DATE</b>	
<b>CONFIGURATION</b>	
<b>QUANTITY</b>	

**ORDERING LOGIC**

Enter part number into the configuration field above

Model	Motor	Motor Type	Nozzle Length	Voltage	Color
Q	50	EC (Electrically Commutated)	(Standard) STD	100-130 200-240	(Off White) W

**EXAMPLE:** Q - 50 - EC - STD - 100 - 130 - W

