



Revised Date: 07 June 2016

SUBMITTAL

Project :

Date :

Qty :

DISCHARGE VALVE

2601481 DISCHARGE VALVE



The Evac Discharge Valve applies vacuum to riser piping to remove waste water collected in a buffer. The discharge valve is one of the key components that comprise an Evac riser along with an activator, buffer, BVP valve, mini-check valve, and vacuum hose.

Functions

- Transports waste water from buffer to holding tank
- Prevents backflow of waste water to riser piping

Operation

The discharge valve is normally used with a buffer which is connected to a refrigeration case drain or fixture drain. The discharge valve outlet is connected to piping that is under vacuum.

The valve has an internal spring that closes the internal rubber tube (normal or idle condition). When vacuum is applied to the connection identified as “DISCHARGE” by the activator, the discharge valve is opened allowing water and air flow through the valve.



Revised Date: 07 June 2016

SUBMITTAL

Project :

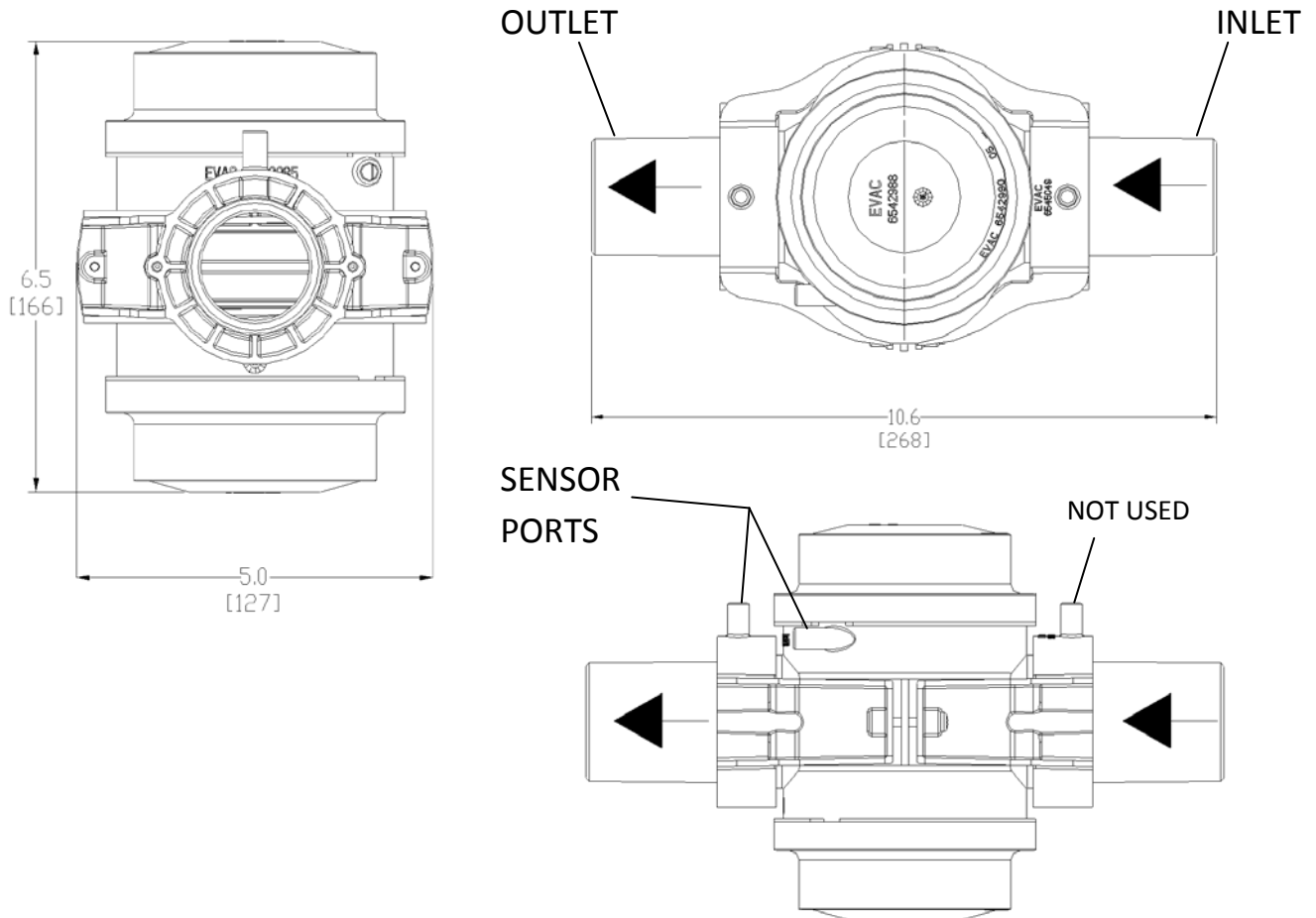
Date :

Qty :

DISCHARGE VALVE

2601481 DISCHARGE VALVE

Data Sheet



- **Housing Material:** POM **Sleeve Material:** EPDM
 Tube Material: Natural Rubber **Spring Material:** Stainless Steel
- **Net Weight:** 1.55 lbs / 0.70 kg
- **Inlet / Outlet Connections:** 1-1/2" PVC
- **Sensor Port Connections:** 3/8 in. EPDM Hose
- **Installation:** 1-1/2" Mechanical Shielded Couplings

Contact an Evac representative for further technical documentation

Evac North America Inc. | www.evac.com | evac.buildingus@evac.com

Tel: +1 815 654 8300 | Fax: +1 815 654 8306 | 1445 Huntwood Drive | Cherry Valley, IL 61016