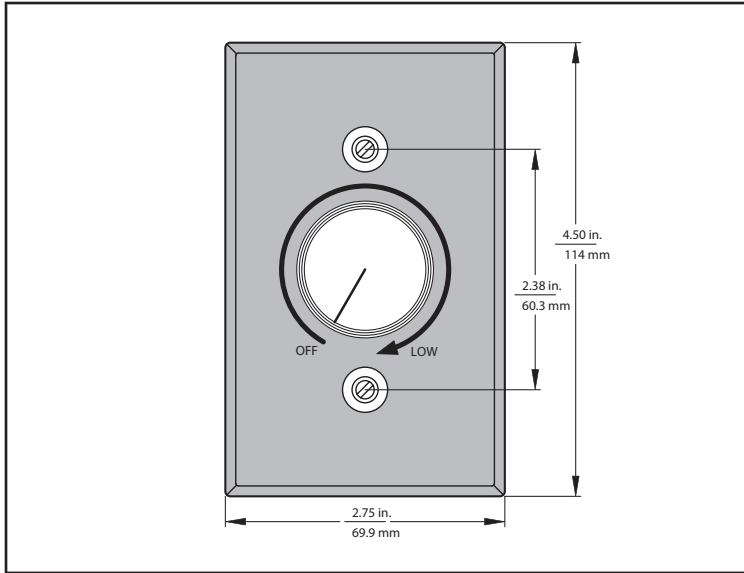




MODEL	VOLTAGE	AMPS	FAN QUANTITY ON DEDICATED CIRCUIT					
			MODEL 10	MODEL 15	MODEL 25	MODEL 45-PSP4	MODEL 45-PSP2	MODEL 60-PSP4
TRIAC-120-1.5	120V	1.5	1	1	1	1	1	1



**TRIAC SPEED CONTROL DESCRIPTION**

Airius speed controls are used to vary the speed of shaded pole or permanent split capacitor (PSC) motors (Air Pear or Designer Series 10, 15, 25, 45-P4, 45-P2, or 60-P4). Speed controls for EC motors: refer to the potentiometer submittal. Speed control for EL fans: refer to the FanCenter submittal.

**ATTRIBUTES AND CHARACTERISTICS**

- Built-in On/Off AC line switch
- RFI filter (provides RFI and EMI suppression)
- All models mount in a standard 2" x 4" electrical wall box
- Faceplate (4.5" x 2.75"), knob, screws and wire nuts included
- Simple installation by a qualified electrician
- Off - Max - Hi - Med - Low speeds (4 step)
- Can control a single fan

**CODE APPROVAL**

- UL listing/recognition
- CSA certified

**WARRANTY**

- Warranty - 1 - years parts and workmanship

<b>PROJECT</b>	
<b>ENGINEER</b>	
<b>ARCHITECT</b>	
<b>CONTRACTOR</b>	
<b>SUBMITTED BY</b>	
<b>DATE</b>	
<b>QUANTITY</b>	

**PART NUMBER & QUANTITY**

TRIAC-120-1.5 Qty. \_\_\_\_\_

